

Section #7 Pictorial Table Of Contents

Introduction To Accessories



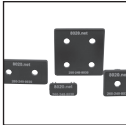
Page 916

How To Order



Page 917

End Caps



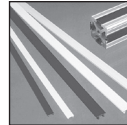
Pages 918-919

Nylon T-Slot Nut



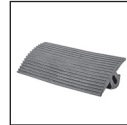
Page 918

T-Slot Covers



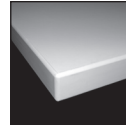
Pages 920-921

T-Slot Tread Strips



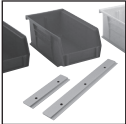
Page 921

Laminated Table Tops & Kits



Page 922

AkroBins®



Page 923

Cart Guard®



Page 924

Cart Guard® Corners



Page 925

Tool Hangers



Page 926

Spring Snap Hook



Page 927

Gravity Roller Mounting Block



Page 927

Rubber Bumpers



Page 928

Plastic Document Holders



Page 929

Label Holders



Page 929

Wiring Duct



Page 930

Wire Ties



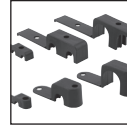
Page 930

Cable & Tube Clips



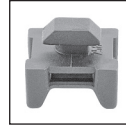
Page 931

Tube and Wire Clamps



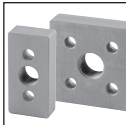
Page 932

Cable Mount Blocks



Page 933

Pressure Manifold Plates



Pages 934-935

Anodize Breaker



Page 936

Grounding Terminal



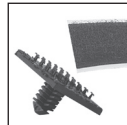
Page 936

Power Strips



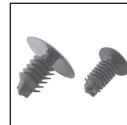
Page 937

T-Slot Velcro® Fastener



Page 938

Push-In Fastener

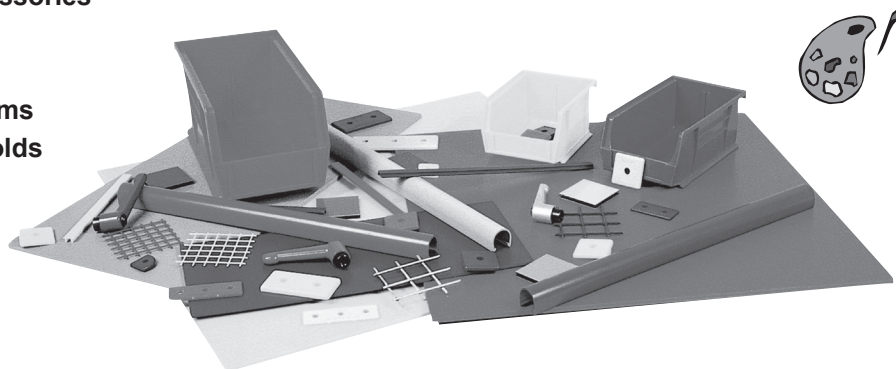


Page 938

- Add air and fluid options to your frame
- Ergonomic and adjustable
- Easy to add accessories
- Build your own:

Color Stuff!

- Workstations
- Inventory Systems
- Pressure Manifolds
- Work Benches
- QC Stations
- Shelving
- Storage
- and lots more!



Introduction to Accessories

Section 7 contains all the information needed for adding accessories to your application. The components contained in this section can be used to complete your project and enhance your design.

End caps and T-slot covers enclose the ends of your profile and cover the T-slots. They fit all of our T-slotted profiles and are available in different styles and many colors.

Table tops, which include a bumper edge, increase the flexibility of any workstation or desk.

Cart Guard® can be used to guard your carts! Various colors available.

AkroBins® and shelf bins are an economical way to store and display parts and components in a variety of sizes and colors.

We have accessories of all kinds, including tool hangers and tube clamps. Use the tool hanger to hang air tools, cable reels or transport cables. Single, double and stackable tube clamps attach your tubes and wires of all sizes.


Manifold plates are compatible with most fluids and gases. Select from our 25 Series and 40 Series T-slotted profiles to fit your design. If you need a custom manifold plate, check out our structural shapes, pages 695-709, and call 80/20® or your local distributor for a custom machining quote.

Considerations

- Custom designs to fit your space constraints
- Workstation and desk components to meet the demands and needs of the job at hand
- Aesthetically pleasing
- End or side mounts for manifold plates, even CUSTOM plates (our specialty)
- Accessories to compliment your design even more
- **COLORS! COLORS! COLORS!**
- One-stop shopping!...only at 80/20®

Legend for Icons

 Design files for this part can be found on the 80/20® DVD (Design Software)

 This part can use double economy T-nuts. See page 757.

 This part is available in several colors

How to Order 80/20® Accessories

Ordering accessories is a simple process; just list the part number, quantity, and a brief description of the accessory (see example order below). When you purchase accessories that require cut-to-length services, please include those charges with the complete order. Many parts have color choices; be sure to indicate the desired color when ordering. If ordering a manifold that mounts on the side, please send a drawing of the profile with your order. And remember to order an aluminum container hanger for each AkroBin® ordered.

How To Order

Shipping Method:

Ordered By:

Ship To:

Customer: _____

Address: _____

City / State: _____

Attention: _____

Tag: _____

Complete Address & Shipping Method Required... NO P.O. Box

Part Number	Quantity	Length	Description / Machining	Price/UOM	Ext. Price
25-2525	2	469.9mm	25-7042 in A both ends	\$0.01	\$7.89
40-4040-Lite-4m	5	4 m	Full length profile	\$80.00	\$400.00
40-8016	4	1016.0mm	40-7029 one end	\$0.14	\$554.74
40-8080	4	914.4mm	40-7050 style MG in W, X both ends	\$0.06	\$230.43
CM01-051006	2		Custom bracket per drawing #1	\$23.00	\$46.00
65-2611	1	.63 sm	6mm bronze polycarb 1 @ 457.2mm x 1016mm w/ 25-7311 per drawing	\$111.95	\$70.53
65-7150	1		Cut plastic panels all sides < -1220mm	\$10.50	\$10.50
25-7042	4		25 Series anchor fastener counterbore	\$2.25	\$9.00
25-7005	2		Cut-to-length for 25-2525	\$1.95	\$3.90
40-7023	4		Cut-to-length for 40-8016	\$2.90	\$11.60
40-7030	4		Cut-to-length for 40-8080	\$2.60	\$10.40
40-7050	64		40 Series drill access hole	\$1.95	\$124.80
40-7029	4		5/16-18 tap service for 40-8016	\$15.20	\$60.80
25-7311	2		Anchor fastener notch for 25 Series	\$0.53	\$1.06
40-3891	32		40 Series M8 bright zinc end fastener w/ screw	\$1.65	\$52.80
25-2114	16		Gray T-Slot covers for 25 Series	\$3.45	\$55.20
40-2050	8		End caps for 40-8080	\$1.85	\$14.80
25-3896	4		25 Series anchor fasteners	\$3.10	\$12.40
40-1982	5		40 Series M8 bright zinc double economy T-nut	\$0.84	\$4.20
25-4132	12		2 hole inside corner gusset bracket	\$3.95	\$47.40
75-3404	24		25 Series M6 BHSCS & economy T-nut	\$0.45	\$10.80
TOTAL					\$1739.25

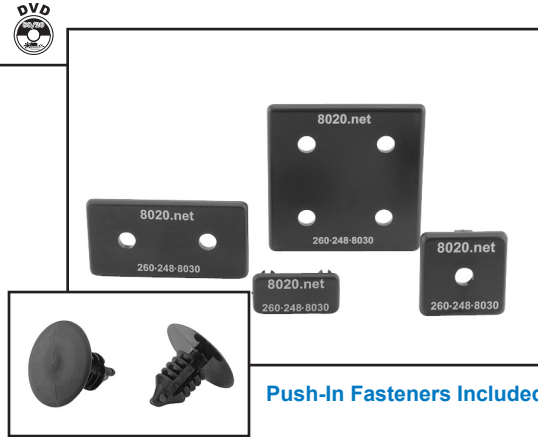
NOTE: Prices shown for illustration use only. Contact your distributor for a personalized quote.

Special Instructions: ***Must be delivered for assembly by Friday!!!***

- 1 - Profiles = Pages 640-694 • 2 - Custom Parts = Pages 695-710 • 3 - Panels = Pages 831-914
 4 - Machining Services = Pages 1025-1078 • 5 - Accessories & Tools = Pages 915-938 & 1015-1024

End Caps

- 25 and 40 Series compatible
- Can be mounted with M6 or M8 screws. See page 1029-1030 for tapping service
- Made of molded black ABS
- For use with T-slotted profiles
- Gives your project the finishing touch

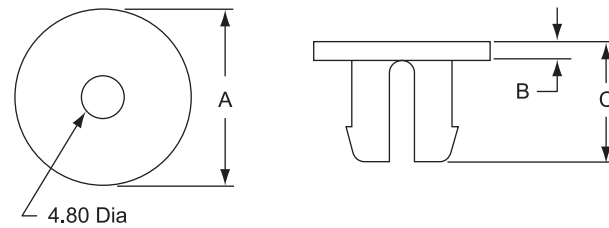
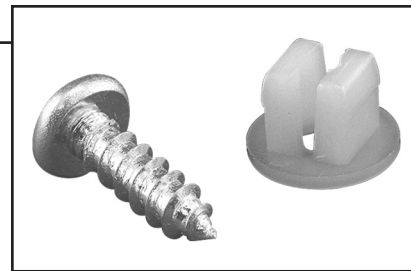


Push-In Fasteners Included

Part No.	Description	Size (mm)	kg.
25-2015	25-2525 End Cap	25 x 25 x 3.0	.002
25-2025	25-2550 End Cap	25 x 50 x 3.0	.005
25-2028	25-5050 End Cap	50 x 50 x 3.0	.009
40-2030	40-4040/40-4040 Lite End Cap	40 x 40 x 4.5	.007
40-2033	40-4030-Lite End Cap	40 x 40 x 4.5 1/4 Round	.006
40-2035	40-4045-Lite End Cap	40 x 40 x 4.5, 45°	.006
40-2045	40-4080/40-4080 Lite End Cap	40 x 80 x 4.5	.014
40-2050	40-8080 End Cap	80 x 80 x 4.5	.030

Nylon T-Slot Nut

- 40 Series compatible
- Light-duty fastening method for 40 Series accessories
- Remains in place even in vertical applications
- Tightening the #12 sheet metal screw expands the nut into the T-slot

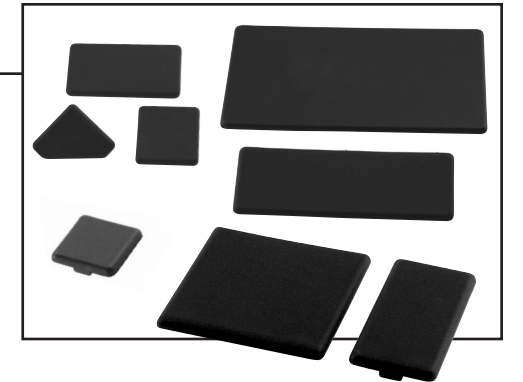


Part No.	Description	Quantity	A	B	C	kg.
40-3348	T-Slot Nuts w/screws	12 per bag	14.40	1.50	8.30	.140 bag
40-3346	T-Slot Nuts only	50 per bag	14.40	1.50	8.30	.032 bag

End Caps

Nylon, Black, Plain

- Push-on, no fastener required
- Finish off your assemblies by installing end caps on exposed T-slot ends

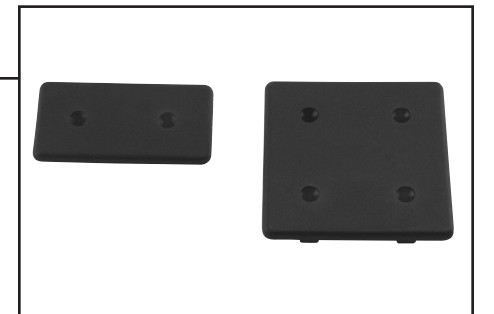


Part No.	L x W (mm)	Slot Tab	kg.	Compatibility Code*
12305	20 x 20	5.00	.0015	5-20
12306	20 x 40		.0023	
12307	40 x 40		.0045	
12271	30 x 30	8.00	.0035	8-30
12302	30 x 60		.0077	
12303	60 x 60	-	.0154	8-40
12258	45° - 40 x 40	8.00	.0015	
12260	40 x 40		.0035	
12261	40 x 80		.0100	
12290	40 x 120		.0204	
12298	80 x 160		.0585	
12262	45 x 45		10.00	.0100
12259	45 x 90	.0195		
12269	90 x 90	-	.0513	

Screw-On End Caps

Nylon, Black, Plain

- M4 x 12mm FHSCS spreads pin to secure end cap
- No tap in profile end required



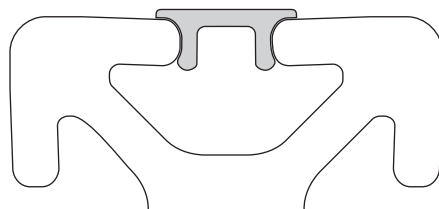
Part No.	L x W (mm)	Slot Tab	Hardware Required	kg.	Compatibility Code*
12279	30 x 60	8.00	(2) 11-4712	.0073	8-30
12283	45 x 45	10.00	(1) 11-4712	.0095	10-45
12286	45 x 90		(2) 11-4712	.0172	
12287	90 x 90		(4) 11-4712	.0340	

* See Compatibility Code information on page 833.

* See Compatibility Code information on page 833.

Standard T-Slot Covers  

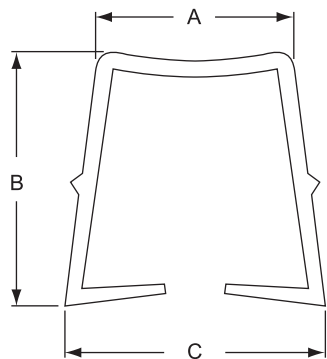
- Stock length = 1841.50mm
- OSHA friendly
- Cover wires and tubes in T-slots
- Makes a great dust cover for T-slots
- Available in black, gray and high-visibility yellow



Part No.	Description	kg.
25-2112	Safety Yellow T-Slot Cover - 25 Series	.096
25-2113	Black T-Slot Cover - 25 Series	.096
25-2114	Gray T-Slot Cover - 25 Series	.096
40-2109	Safety Yellow T-Slot Cover - 40 Series	.121
40-2110	Black T-Slot Cover - 40 Series	.121
40-2111	Gray T-Slot Cover - 40 Series	.121

T-Slot Covers
Polypropylene, Black

- 20, 30 and 45 series compatible
- Sold in standard lengths of 2m (78.74")

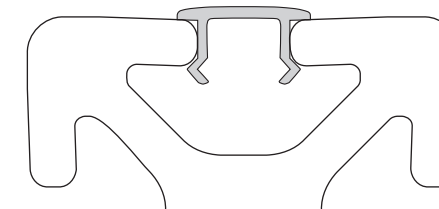


Part No.	Color	A	B	C	kg.	Compatibility Code*
12004	Black	5.00	6.30	6.00	.018	5-20
14193		8.20	8.80	10.20	.050	8-30
12013		10.20	12.80	13.70	.068	10-45
12005	Natural	5.00	6.30	6.00	.018	5-20

* See Compatibility Code information on page 833.

Economy T-Slot Covers  

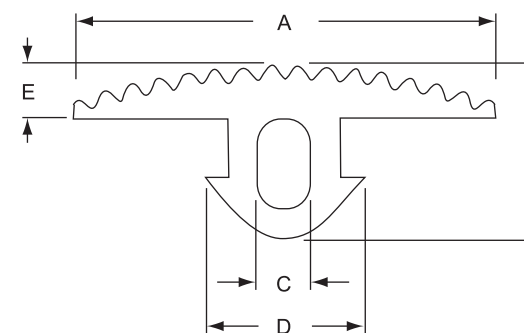
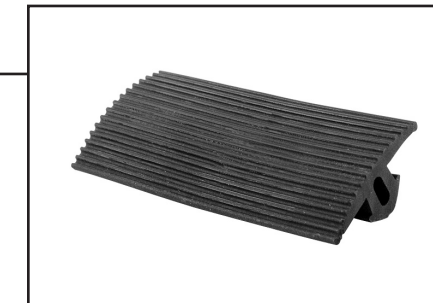
- 25, 40 and 45 Series compatible
- Cover wires and tubes in T-slots
- Cuts easily with metal shears
- Stock length = 1841.50mm
- Presses easily into T-slots
- Available in red, blue, black, gray, yellow and orange



Part No.	Description	mm (in)	kg.	Compatibility Code*
25-2816	Orange - 25 Series	1841.50 (72.5)	.024	6-25
25-2817	Blue - 25 Series			
25-2818	Red - 25 Series			
25-2819	Safety Yellow - 25 Series			
25-2820	Black - 25 Series			
25-2821	Gray - 25 Series			
40-2822	Safety Yellow - 40 Series	2000.00 (78.7)	.051	8-40
40-2823	Black - 40 Series			
40-2824	Gray - 40 Series			
40-2825	Red - 40 Series			
40-2826	Blue - 40 Series			
40-2827	Orange - 40 Series			
14107	Black - 45 Series	2000.00 (78.7)	.118	10-45
14108	Yellow - 45 Series			
14110	Gray - 45 Series			
14121	Blue - 45 Series			
14123	Red - 45 Series			

T-Slot Tread Strip
NBR rubber, Black

- Press-fits in any 8mm wide T-slot
- Anti-slip ribbed surface on top side
- Sold by the meter, maximum length 20m

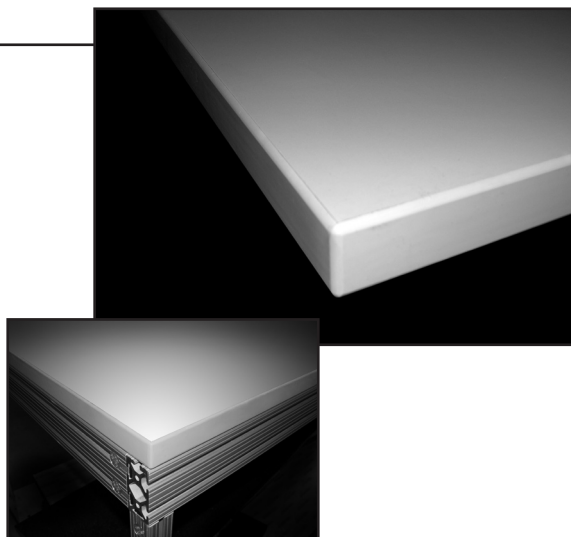


Part No.	Slot Tab	A	B	C	D	E	kg/meter	Length	Compatibility Code*
12006	8.00	31.10	13.10	8.50	12.00	4.00	.2087	Sold by the meter	8-30, 8-40

Laminated Table Tops



- Quality 31.75mm high-pressure laminate table tops
- The perfect choice for completing your custom workstation
- Available in gray color
- 3mm PVC bumper edge coordinates with table color



Part No.	Size	kg.
65-2800	762.00 x 1219.20 x 31.75 mm	22.680
65-2802	762.00 x 1524.00 x 31.75 mm	28.577
65-2804	762.00 x 1828.80 x 31.75 mm	34.020
65-2806	914.40 x 1828.80 x 31.75 mm	40.824

Table Top Fastening Kit

- Fastening kit includes:
 - 1 - 40-4295 - 40 Series slotted inside corner bracket
 - 1 - 13-8316 - M8 x 16mm BHSCS
 - 1 - 40-1986 - M8 Series drop-In T-nut
 - 1 - 19-6042 - M8 bright zinc washer
 - 1 - #14 x 1 1/4" Phillips pan head sheet metal screw

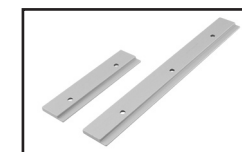


Part No.	Description	kg.
65-2810	Table Top Fastening Kit	.152

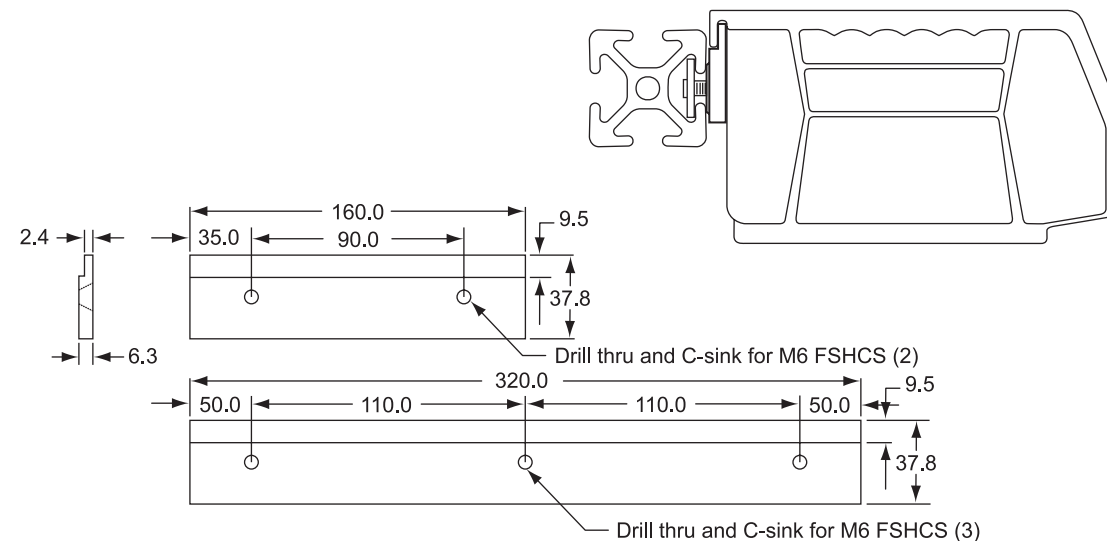
AkroBins®



- 25 and 40 Series compatible
- Bins hang from aluminum container hanger that mounts to T-slot (hardware included)
- Polypropylene storage bins that hang or stack
- Develop your own customized storage system
- AkroBins are made in the USA
- Choose from six sizes
- Large label slot
- In stock for immediate shipment
- Available in red, blue or yellow (specify color when ordering)



Aluminum Container Hangers

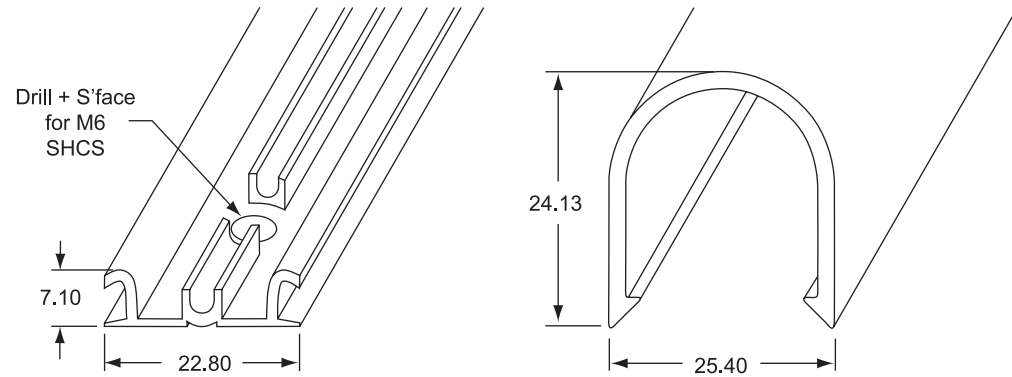


Part No.	Outside Dimensions			Inside Dimensions			kg.
	L	W	H	L	W	H	
65-2230	136.50	104.80	76.20	120.70	87.30	71.40	.054
65-2240	187.30	104.80	76.20	171.50	87.30	71.40	.113
65-2250	276.20	139.70	127.00	260.40	111.10	120.70	.286
65-2270	276.20	279.40	127.00	260.40	254.00	120.70	.438
65-2271	273.10	209.60	177.80	254.00	166.70	171.50	.524
65-2272	374.70	209.60	177.80	355.60	166.70	171.50	.983
65-2264	160mm aluminum container hanger includes mounting hardware						.095
65-2265	320mm aluminum container hanger includes mounting hardware						.188

Cart Guard®



- 25 and 40 Series compatible
- 25.40mm x 25.40mm flexible PVC bumper protects your stuff
- Stock colors available include black, red, blue and gray
- Bolt-on mounting base allows Cart Guard to snap to your frame
- Stock length 3657.60mm
- Refer to page 1029 for cut-to-length services



Part No.	Description
65-2854	Mounting Base
65-2855	Black Cover
65-2856	Gray Cover
65-2857	Red Cover
65-2858	Blue Cover

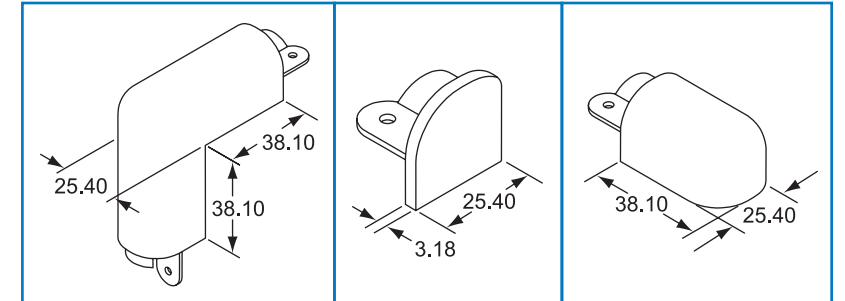
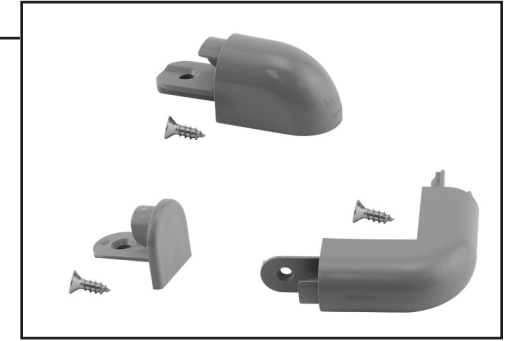
Bolt Kits	Series
75-3411*	25 and 40 Series

*NOTE: Mounting Base Part No. 65-2854 requires one (1) 75-3411 for every 102mm of Cart Guard

Cart Guard® Corners



- Cap off your Cart Guard bumpers
- Square end, round end, 90° corner options
- Available in matching Cart Guard colors
- Mounting hardware included



Color	Corner	Square	Round
Black	65-2867	65-2863	65-2859
Gray	65-2868	65-2864	65-2860
Red	65-2869	65-2865	65-2861
Blue	65-2870	65-2866	65-2862

Helpful Hints:

If you are applying Cart Guard to an application, choose the profiles that will be connected to the Cart Guard. Use the information below to determine the lengths of your Cart Guard and Mounting Base according to the "Corners" you are using. If you are using the...

1. Square End Cart Guard Corner, you will need to:
 - Order a piece of Cart Guard which is 6.35mm less than your covered length.
 - Order a piece of Mounting Base which is 6.35mm less than your profile length.
2. Round End Cart Guard Corner, you will need to:
 - Order a piece of Cart Guard which is 76.20mm less than your covered length.
 - Order a piece of Mounting Base which is 25.40mm less than your profile length.
3. 90 Degree Cart Guard Corner, you will need to:
 - Order a piece of Cart Guard which is 76.20mm less than your covered length.
 - Order a piece of Mounting Base which is the same length as the profile.



Step-by-Step Installation:

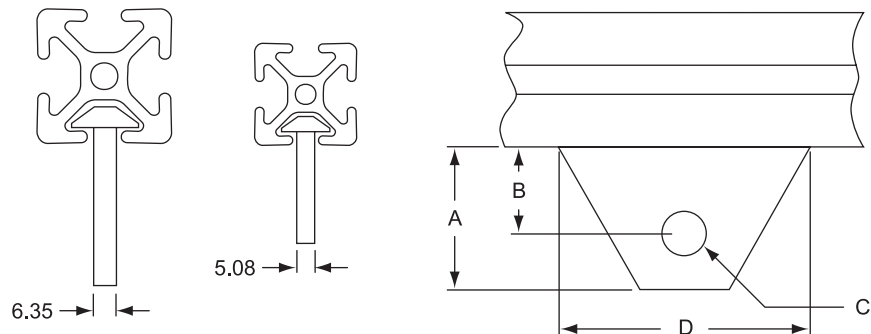
- 1 Bolt Mounting Base to profile with recommended fasteners.
- 2 Place "corners" on the ends with supplied flathead screws.
- 3 Snap on Cart Guard.

* See Compatibility Code information on page 833.

Tool Hangers



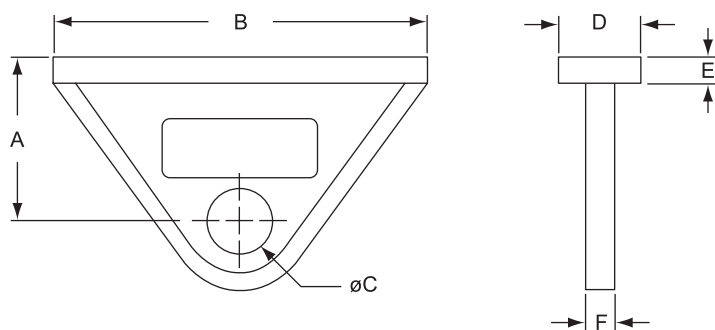
- 25 and 40 Series compatible
- Made of high-strength black nylon
- Ideal for hanging air tools, cable reels, heavy door panels or transporting cables
- Slides into 6mm and 8mm wide profile slots and moves easily in the T-slot
- 68 kg. capacity



Part No.	Description	A	B	C	D	kg.
25-2099	Tool Hanger 25 Series	27.94	17.42	8.30	50.80	.008
40-2100	Tool Hanger 40 Series	40.64	26.67	12.70	76.20	.025

Tool Hanger
Nylon, Black

- Slides in the T-slot of 30 or 45 Series profiles
- The snap hook mounts in the hanger hole
- Great for hanging and positioning tools, reels and cables



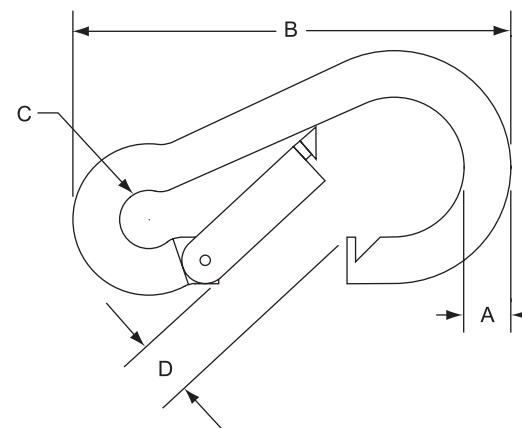
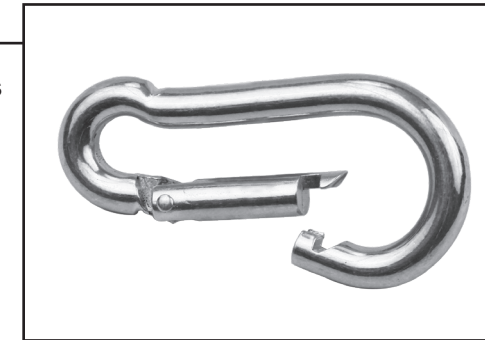
Part No.	Description	A	B	C	D	E	F	kg.	Compatibility Code*
12016	Tool Hanger	26.00	60.00	10.50	15.00	4.20	8.00	.009	8-30
12015					19.00				10-45

* See Compatibility Code information on page 833.

Spring Snap Hook



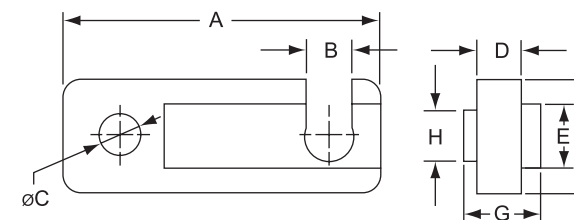
- Works with 25 and 40 Series plastic tool hangers
- Easy to change tools/devices
- Strong, 249.48 kg. breaking strength
- Made of electro-galvanized mild steel



Part No.	Description	A	B	C	D	kg.
65-2108	Spring Snap Hook	6.35	60.32	7.92	7.92	.027

Gravity Roller Mounting Block
Fiberglass-Reinforced Nylon, Black

- Roller pin snaps in/out
- Reverses to fit slot 8/10 profiles
- Use with gravity rollers on page 1134



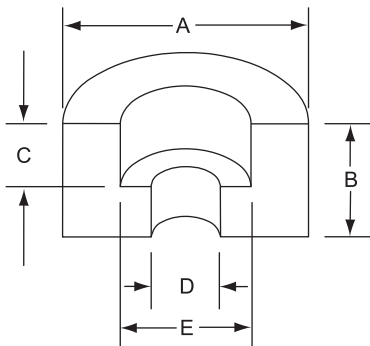
Recommended Mounting Hardware:

Part No.	Series	Qty	Description
75-3601	40	1	M6 x 14mm BHSCS & Drop-In T-nut
75-3482	45	1	M6 x 18mm BHSCS & Drop-In T-nut

Part No.	A	B	C	D	E	F	G	H	kg.	Compatibility Code*
12167	50.00	7.20	6.50	7.00	10.00	18.00	12.00	8.00	.008	8-15, 8-40, 10-45

Rubber Bumper 

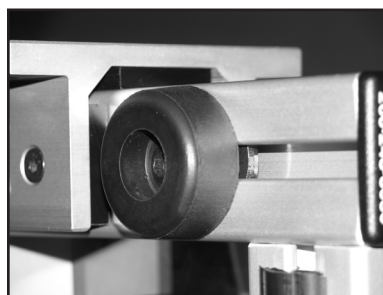
- 25 or 40 Series compatible
- Bolts to T-slot with included hardware
- Made of butadiene styrene rubber
- Can be used as door stops, shock mounts, vibration dampeners



Mounting Hardware (Included):

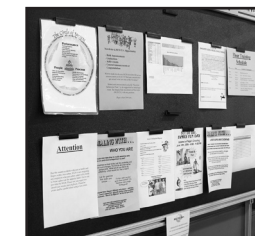
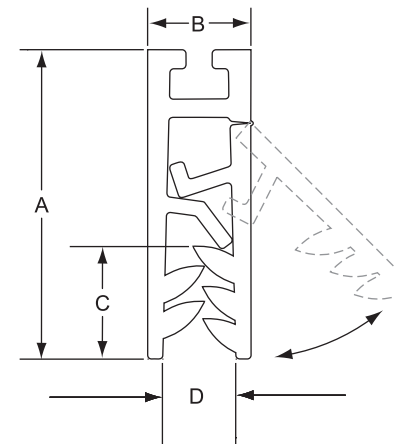
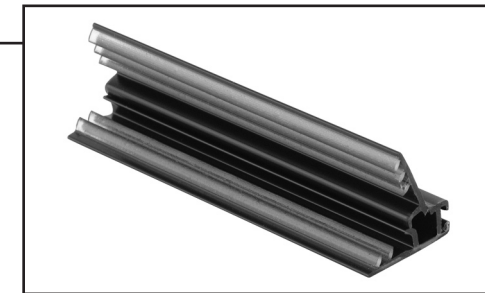
Bumper Part No.	Qty	Hardware Description
25-2850	1	M6 x 16mm BHSCS & Economy T-Nut
40-2849	1	M8 x 20mm FBHSCS & Economy T-Nut

Part No.	Description	A	B	C	D	E	kg.
25-2850	Styrene Butadiene Bumper	25.40	14.30	7.90	7.10	13.50	.024
40-2849		38.10	15.90	8.70	7.90	14.00	.040



Plastic Document Holder 

- Snaps shut to hold documents securely
- Holds paper, vinyl and fabric up to 1.0mm thick
- Available in black PVC
- Adhesive peel & stick strip backing
- Adheres to most materials



Part No.	Standard Length	Description	A	B	C	D	kg.
65-2851	76.20	Adhesive Mount Document Holder	20.60	7.20	8.70	4.40	.008
65-2852	558.80		20.60	7.20	8.70	4.40	.062

Label Holders

- Snaps into T-slot of 25, 30 and 40 Series profiles
- Heavy-duty clear plastic with non-glare finish
- Sold in packs of 25

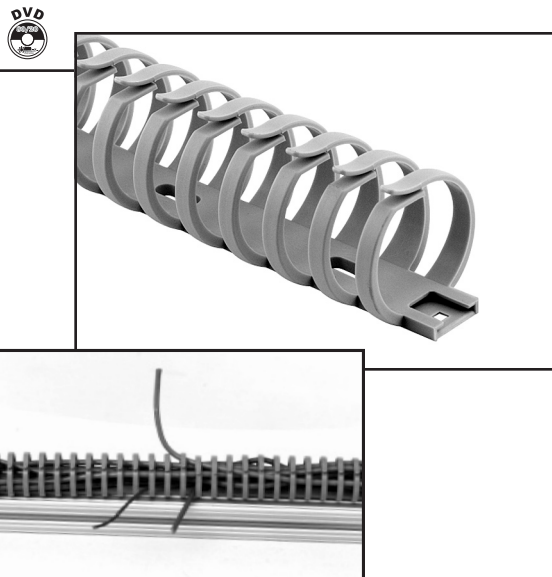


Part No.	Description	Size - mm	kg.	Units	Compatibility Code
25-2843	T-Slot Label Holder	25.4 x 76.2	.012	Per Pkg. of 25	6-10, 6-25
25-2844		25.4 x 152.4	.024		
40-2845		50.8 x 101.6	.031		8-15, 8-30, 8-40
40-2846		50.8 x 152.4	.046		

* See Compatibility Code information on page 833.

Wiring Duct

- 25 and 40 Series compatible
- Strips interlock for end-to-end attachment
- Available in gray
- Interlocked length 500mm
- Overlapping fingers mean no separate cover and no sharp edges



Part No.	Description	kg.	Mounting Hardware	Series
65-2899	Wire Duct	.024	(4) 75-3537 (4) 75-3539	25 Series 40 Series

Wire Ties

- Organizes tubing and wires
- Compatible with all profile series
- Sold in packages of 100 ties
- High tensile strength
- Color: black



Recommended Mounting Hardware (Mount to T-Slot):

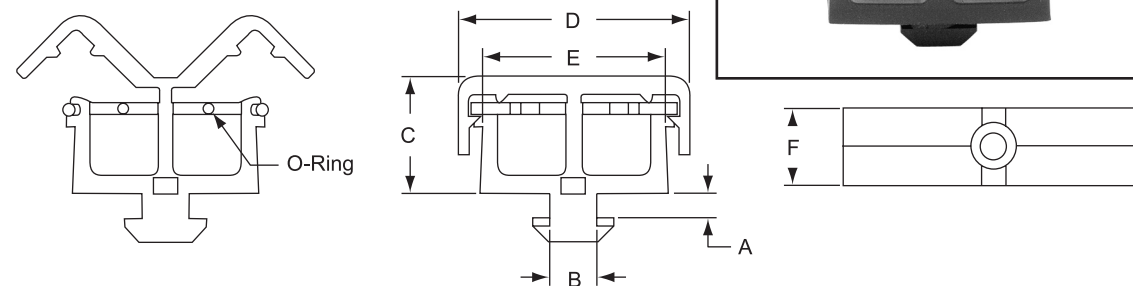
Part No.	Qty	Description
3059	1	1/4-20 x 3/8" BHSCS
AND		
3382	1	1/4-20 Economy T-Nut

Part No.	Length	Description	Quantity
2890	6.000	18 Lb. UV Black Wire Ties	100 Per Package
2891	8.000	40 Lb. UV Black Wire Ties	
2892	11.000	50 Lb. UV Black Wire Ties	
2893	—	.750 Mounting Pads	
2894	—	1.000 Mounting Pads	
2895	—	1/4 Inch Screw Mounting Pads	

* See Compatibility Code information on page 833.

Cable & Tube Clip, 1/4 Turn
Fiberglass Reinforced Nylon, Black

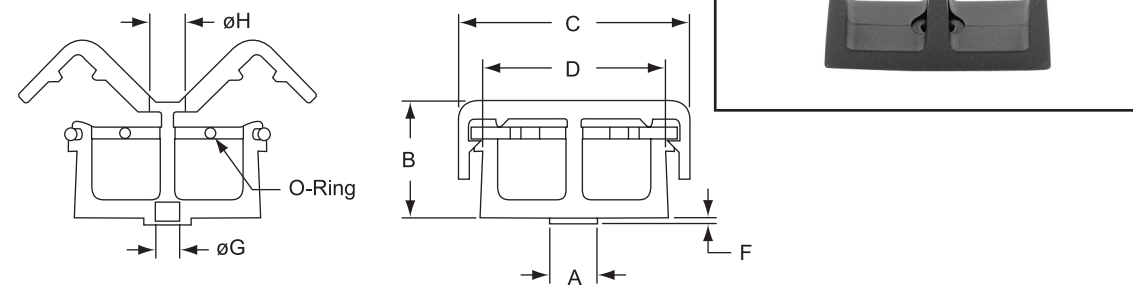
- 15, 30, 40 and 45 Series compatible
- Attach cable or tube without the need for cable ties
- Can be opened and closed repeatedly
- Twist 1/4 turn to lock in T-slot



Part No.	A	B (Slot Tab)	C	D	E	F	kg.	Compatibility Code*
12321	2.00	8.00	20.00	40.00	32.60	16.00	.009	8-30
12319	4.50	8.00					.007	8-15, 8-40
12320	5.80	10.00					.009	10-45

Cable & Tube Clip
Fiberglass Reinforced Nylon, Black

- 15, 30, 40 and 45 Series compatible
- Attach cable or tube without the need for cable ties
- Can be opened and closed repeatedly



Recommended Mounting Hardware (Mount to Profile):

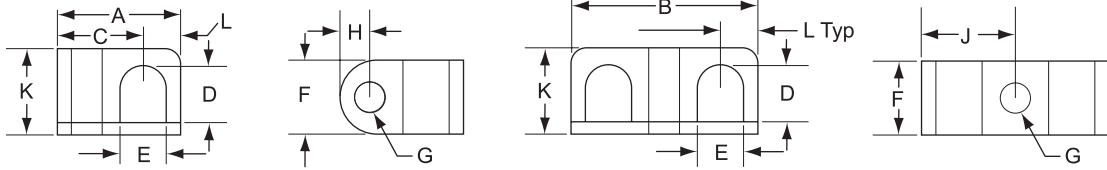
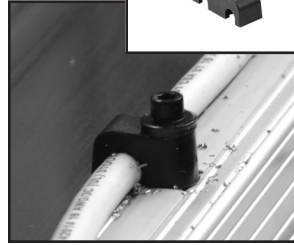
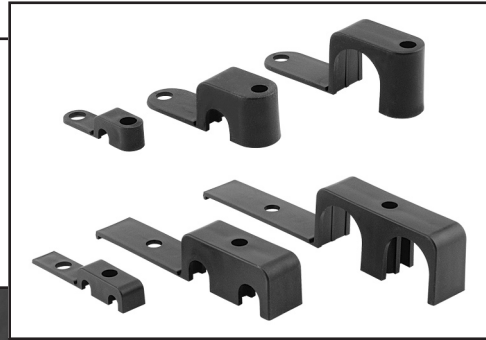
Part No.	Series	Qty	Description
75-3560	15, 40	1	M4 x 12mm SHCS & Drop-In T-nut
75-3561	30	1	M4 x 12mm SHCS & Drop-In T-nut
75-3563	45	1	M4 x 12mm SHCS & Drop-In T-nut

Part No.	A (Slot Tab)	B	C	D	E	F	G	H	kg.	Compatibility Code*
12025	None	20.00	40.00	32.60	16.00	1.60	4.50	8.00	.009	8-15, 8-30, 8-40, 10-45
12026	8.00									8-15, 8-30, 8-40
12027	10.00									10-45

Tube and Wire Clamps



- 25 and 40 Series compatible
- Attaches easily to T-slots
- Organizes tubing and wires
- Made from tough black polypropylene
- Resists oils, chemicals and acids
- Stackable design
- High strength — low cost



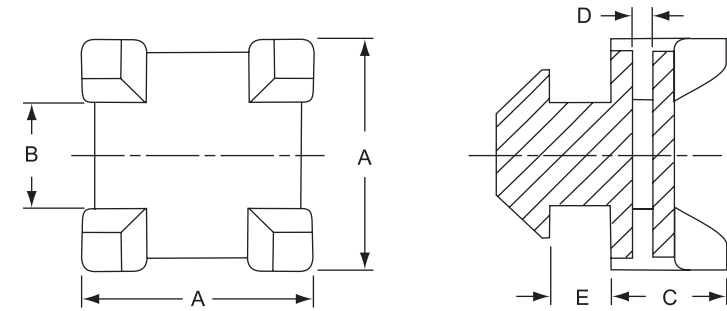
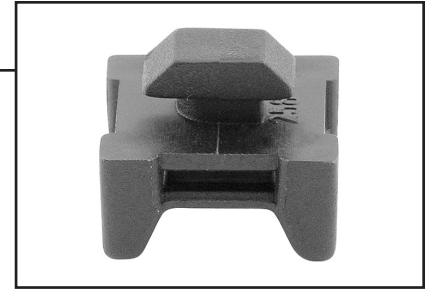
Part No.	Tube Size	A	B	C	D	E	F	G	H	J	K	L	kg.
Single Clamp													
65-2500	3.10	22.20	—	15.3	3.00	3.10	11.90	6.30	6.30	—	10.30	6.80	.0020
65-2501	6.30	22.20	—	15.5	6.00	6.30	11.90	6.30	6.10	—	10.30	6.70	.0020
65-2502	9.50	27.00	—	18.4	9.10	9.50	15.80	6.30	6.80	—	15.00	8.50	.0040
65-2503	12.70	34.00	—	22.2	15.00	12.70	19.80	6.30	6.30	—	24.60	11.90	.0070
65-2504	19.00	42.00	—	26.3	19.00	19.00	19.80	6.30	6.30	—	30.10	15.70	.0100
65-2505	25.40	42.00	—	25.6	24.10	25.40	19.80	6.30	6.30	—	30.10	16.40	.0090
Double Clamp													
65-2506	3.10	—	30.90	—	3.00	3.10	11.90	6.30	6.30	15.20	10.30	6.50	.0020
65-2507	6.30	—	30.90	—	6.00	6.30	11.90	6.30	6.10	15.20	10.30	6.50	.0030
65-2508	9.50	—	42.00	—	9.10	9.50	15.80	6.30	6.80	20.30	15.00	8.70	.0050
65-2509	12.70	—	53.10	—	15.00	12.70	19.80	6.30	6.30	26.60	22.60	11.50	.0110
65-2510	19.00	—	70.00	—	19.00	19.00	19.80	6.30	6.30	34.50	30.10	15.90	.0160
65-2511	25.40	—	70.00	—	24.10	25.40	19.80	6.30	6.30	34.90	30.10	15.90	.0120

Recommended Mounting Hardware*						
Part No.	65-2500	65-2501	65-2502	65-2503	65-2504	65-2505
	65-2506	65-2507	65-2508	65-2509	65-2510	65-2511
25 Series	75-3413	75-3415	75-3414	75-3416	75-3417	75-3417
40 Series	75-3414	75-3414	75-3415	75-3416	75-3418	75-3418

* Bolt kits are for unstacked tube clamps. All kits consist of M6 SHCS and economy T-nut.

Cable Mount Block, 1/4 Turn
Fiberglass-Reinforced Nylon, Black

- 15, 30, 40 and 45 Series compatible
- See below for a selection of wire ties
- Attach cable ties to block in two directions
- Twist 1/4 turn to lock in T-slot



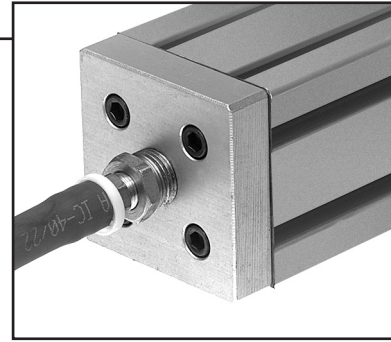
Part No.	A	B	C	D	E	Slot Tab	kg.	Compatibility Code*
12317	22.00	10.00	11.00	2.00	2.00	8.00	.0076	8-30
12316					4.30	8.00	.0040	8-15, 8-40
12315					5.80	10.00	.0076	10-45

* See Compatibility Code information on page 833.

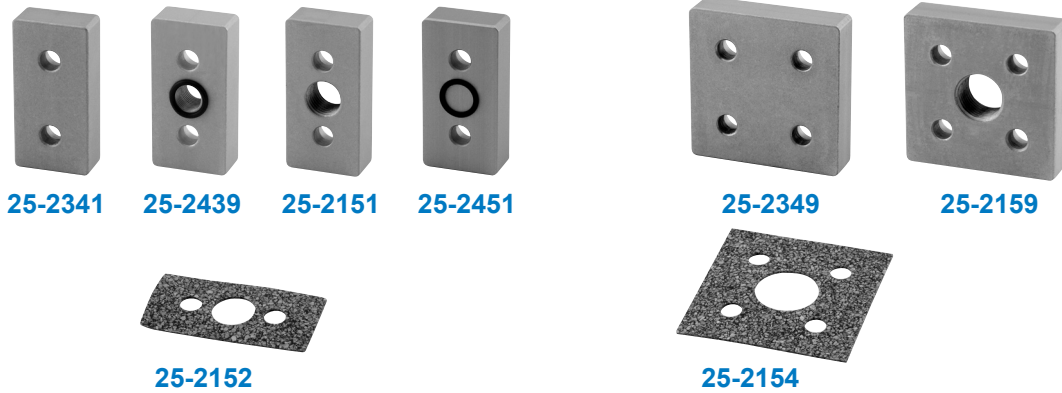
Pressure Manifold Plates



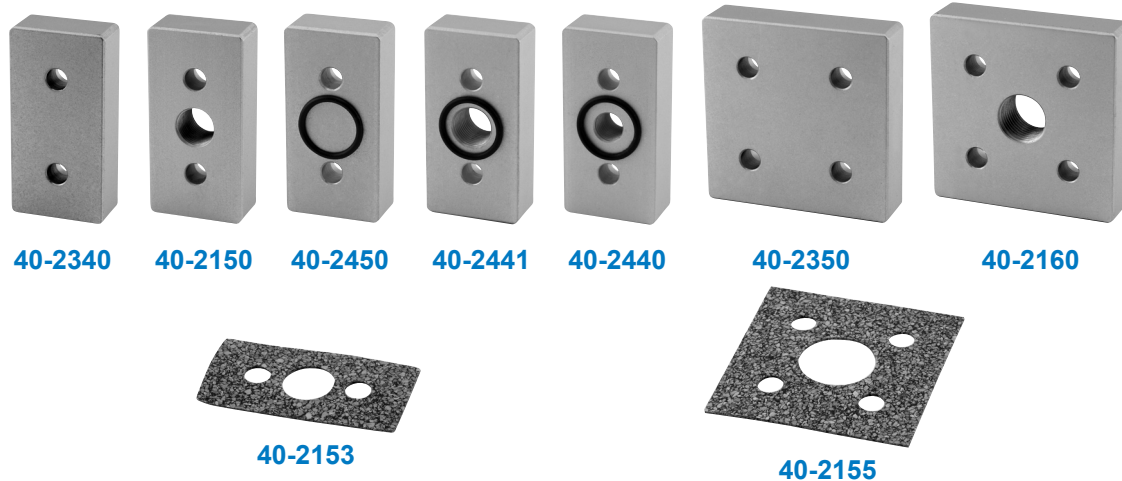
- 25 and 40 Series compatible
- Includes all mounting hardware and gaskets
- Made of 6105-T5 clear anodized aluminum
- Make your own custom manifolds;
See pages 695-709 for Structural Shapes
- Pressurize your machine frame
- Compatible with most fluids and gases
- 150 p.s.i. maximum pressure
- See page 1029 for tapping service, page 1040 for drill thru



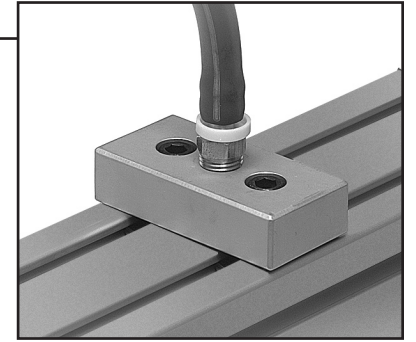
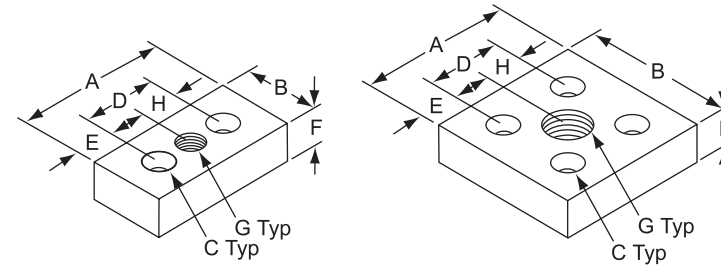
25 Series



40 Series



Pressure Manifold Plates continued



- Plates are supplied with either o-rings bonded in place or gaskets shipped loose
- O-ringed plates are mounted to the profile's T-slotted side to completely seal a hole, or seal a hole where air is to be released
- Gasketed plates are mounted to the profile's end to completely seal the end, or seal the end where air is to be released
- CR-20 is a cork and synthetic rubber material manufactured by Global Technology Systems

Part No.	A	B	C	D	E	F	G	H
25 Series								
25-2151	50.00	25.00	Drill thru and C-bore for M6 SHCS	25.00	12.50	12.00	1/4" NPT	12.50
25-2159	50.00	50.00		25.00	12.50	12.00	3/8" NPT	12.50
25-2341	50.00	25.00		25.00	12.50	12.00	—	—
25-2349	50.00	50.00		25.00	12.50	12.00	—	—
25-2439	50.00	25.00		25.00	12.50	12.00	1/8" NPT	12.50
25-2451	50.00	25.00	25.00	12.50	12.00	—	—	
40 Series								
40-2150	80.00	40.00	Drill thru and C-bore for M8 SHCS	40.00	20.00	19.00	3/8" NPT	20.00
40-2160	80.00	80.00		40.00	20.00	19.00	1/2" NPT	20.00
40-2340	80.00	40.00		40.00	20.00	19.00	—	—
40-2350	80.00	80.00		40.00	20.00	19.00	—	—
40-2440	80.00	40.00		40.00	20.00	19.00	1/4" NPT	20.00
40-2441	80.00	40.00		40.00	20.00	19.00	3/8" NPT	20.00
40-2450	80.00	40.00	40.00	20.00	19.00	—	—	

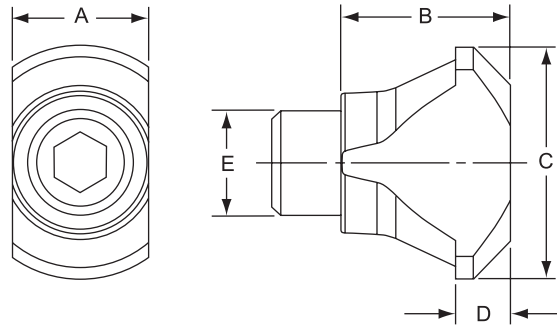
Replacement Gaskets and O-Rings				
Size	Gasket Part No.	Material Finish	O-Ring Part No.	Material Finish
25 x 50	25-2152	CR-20	25-2157	Buna-N
50 x 50	25-2154	CR-20	—	—
40 x 80	40-2153	CR-20	40-2156	Buna-N
80 x 80	40-2155	CR-20	—	—

Part No.	Description	Size in mm	NPT	Mounting Location	kg.
25-2341	Blank P. M. Plate	25 x 50	—	Profile End	.0410
25-2439	Tapped P. M. Plate	25 x 50	1/8"	Profile Side	.0360
25-2151	Tapped P. M. Plate	25 x 50	1/4"	Profile End	.0340
25-2451	Blank P. M. Plate	25 x 50	—	Profile Side	.0410
25-2349	Blank P. M. Plate	50 x 50	—	Profile End	.0790
25-2159	Tapped P. M. Plate	50 x 50	3/8"	Profile End	.0730
40-2340	Blank P. M. Plate	40 x 80	—	Profile End	.1710
40-2450	Blank P. M. Plate	40 x 80	—	Profile Side	.1830
40-2150	Tapped P. M. Plate	40 x 80	3/8"	Profile End	.1570
40-2441	Tapped P. M. Plate	40 x 80	3/8"	Profile Side	.1760
40-2440	Tapped P. M. Plate	40 x 80	1/4"	Profile Side	.1760
40-2350	Blank P. M. Plate	80 x 80	—	Profile End	.3450
40-2160	Tapped P. M. Plate	80 x 80	1/2"	Profile End	.3260

80/20® Inc.
The Industrial Erector Set®
THE STANDARD

Anodize Breaker
Zinc-Plated Steel

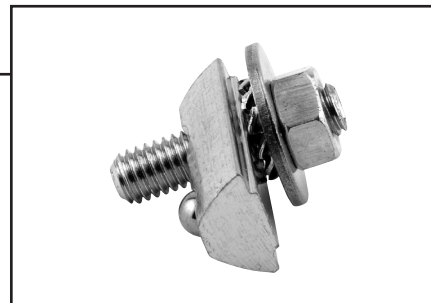
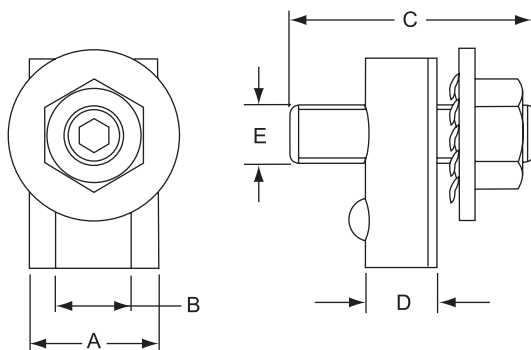
- Penetrates anodizing to provide grounding continuity between 40 Series profiles
- Twist breaker into the T-slot, tilt at 45° angle, then drive the M6 set screw into the seam of the mating profiles



Part No.	A	B	C	D	E	kg.	Compatibility Code*
12328	8.00	10.00	13.40	3.20	M6	.0052	8-40

Grounding Terminal
Zinc-Plated Steel/Brass

- For use in applications such as electronics assembly, where electrostatic charges must be avoided
- Creates a conductive connection to T-slotted profiles

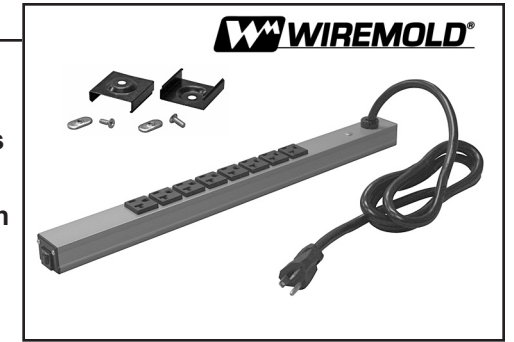


Part No.	A	B	C	D	E	kg.	Compatibility Code*
12300	13.50	7.80	25.00	7.20	M6	.019	8-15, 8-40

* See Compatibility Code information on page 833.

Power Strips

- Mounting clips and hardware are included
- All units are UL and ULC recognized components except as noted
- No machining necessary — mounting clips attach to T-slots

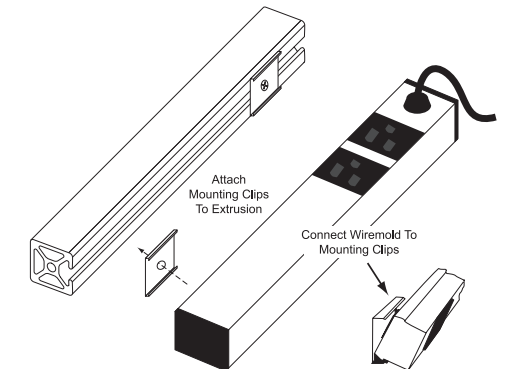


© 2009 The Wiremold Company All Rights Reserved

Part No.	Description	Power Requirements	Cord Length	Surge Protection
2676	20" Long, 8 Outlet, Wiremold® Power Strip	15 amp	6 ft.	No
2670	13" Long, 4 Outlet, Wiremold® Power Strip	20 amp	6 ft.	No
2674	20" Long, 8 Outlet, Wiremold® Power Strip	20 amp	6 ft.	Yes
2675	20" Long, 8 Outlet, Wiremold® Power Strip	20 amp	15 ft.	Yes

Spring Clip Mounting:

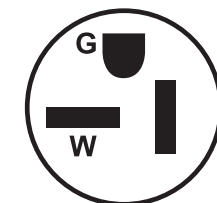
- 1) Pre-load the hardware onto the mounting clips.
- 2) Slide the mounting clips into the T-slot.
- 3) Place the mounting clips 1" (25mm) in from each end of the power strip and tighten the mounting clips into place.
- 4) Place power strip in one side of the mounting clips and snap into position.



Power Strip Plug Options



15 Amp Straight Blade



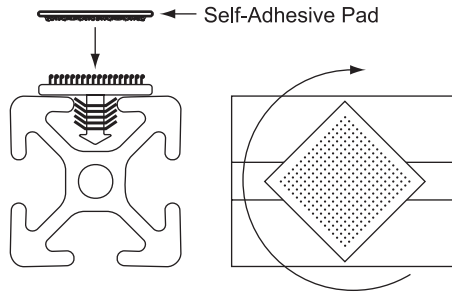
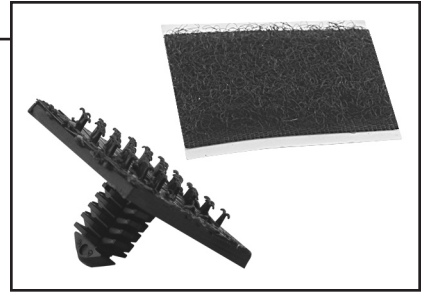
20 Amp Straight Blade

80/20[®] Inc.
 The Industrial Erector Set[®]
THE STANDARD

T-Slot Velcro[®] Fastener



- 40 Series compatible
- Mounts lightweight panels and parts quickly and easily
- The finned projection twists easily into the T-slot
- Includes a self-adhesive mating pad

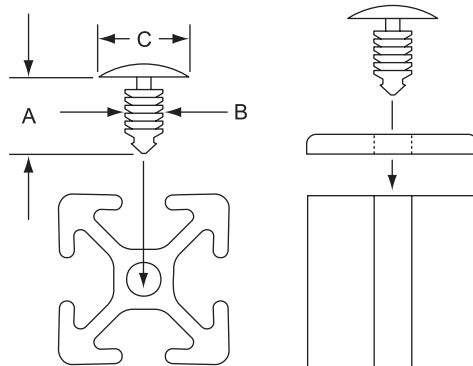
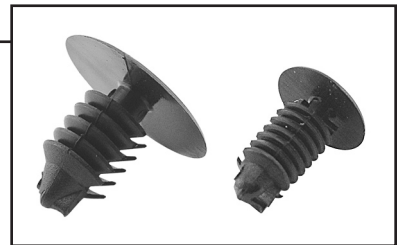


Part No.	Color	kg.
40-3273	Black	.0023

Push-In Fastener



- Pushes into the center holes of 25 and 40 Series profiles
- Ideal for fastening end caps or as a document holder
- Available in red, blue, black, yellow or gray (please specify color)



Part No.	Series	A	B	C	kg.
25-3272	25 Series	12.70	5.80	10.2	.0002
40-3274	40 Series	15.80	7.60	17.7	.0009